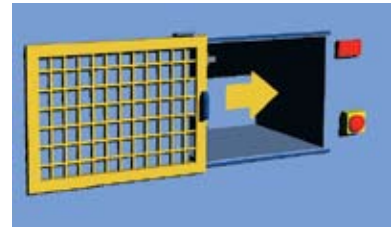




Conforms to EN1088, EN60947-5-1, EN60204-1
UL and C-UL listed, BG approved

■ Applications

Typical applications are on sliding guard doors or swinging guard doors with a 6 in. minimum swing radius.



G

safety interlock switches

T3008

Miniature Tongue-Operated Safety Interlock Switch

- Compact size—Allows the T3008 switch to be used on smaller machines with space restrictions.
- NEMA 6 enclosure—Enables the T3008 to withstand water washdown cleaning.
- Two mounting surfaces—Gives 4 possible actuator entry points for versatile installation. A blanking plug is supplied for the unused entry.
- Small swing radius—Allows use on doors with a swing radius of less than 2 in. when using the flex actuators.
- Long life—The T3008 with its stainless steel actuators is designed for one million actuations.
- Safety switch conformity—the T3008, with its force-guided contacts and a tamper-resistant mechanism, conforms to the European safety standards indicated here.

A

Go to the Engineering Guide
For in-depth information on safety standards and use.

N

For More Guarding Products
See Section N for safeguarding cutting and turning machines

■ **Operation**



Mounting — The switch may be mounted label side down or label side up to give four possible actuator entry points.

Four Different Actuators are Available —



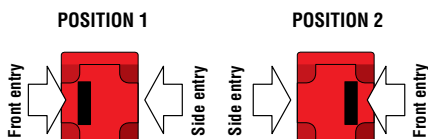
90° Actuator

Flat Actuator

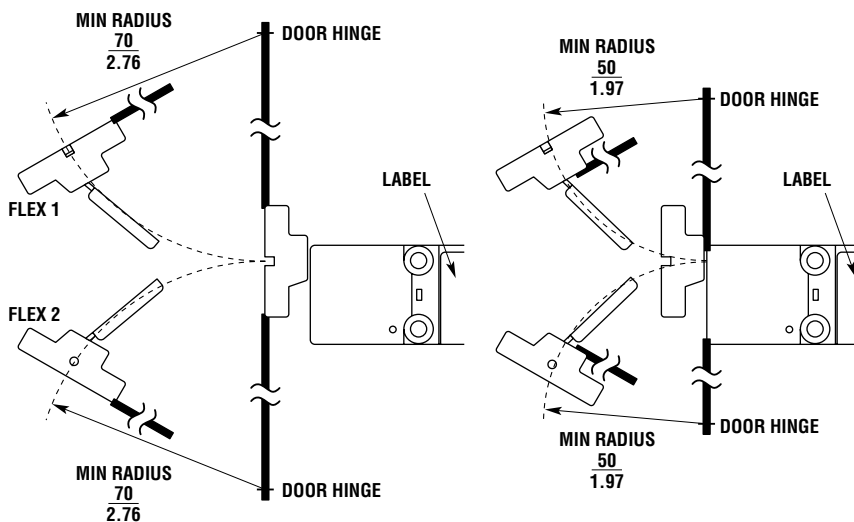
Flex 1 Actuator

Flex 2 Actuator

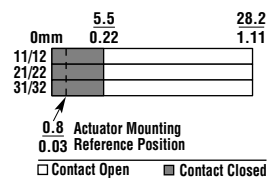
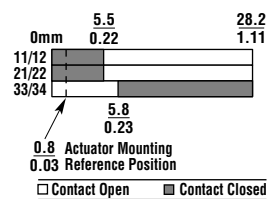
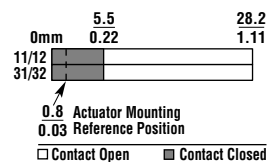
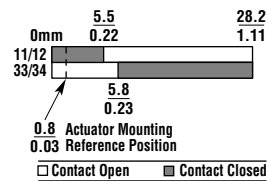
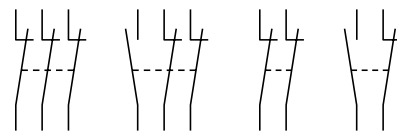
Four Possible Actuator Entry Points



Operating Range — mm/in.



Contact Arrangements



■ Specifications

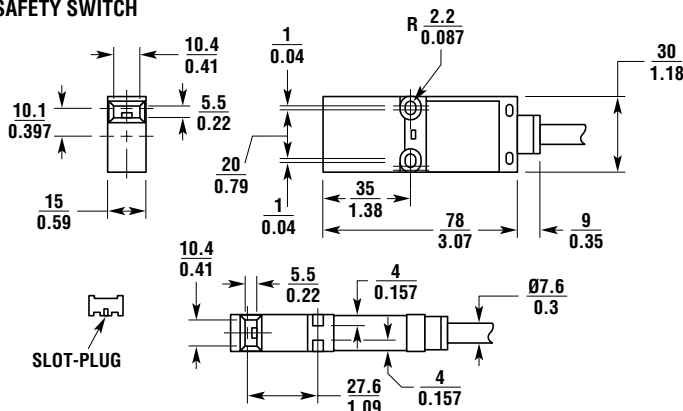
| Electrical | | All Models | |
|--|-----------------------|--|---|
| Contact Configurations: | | 1 N/C + 1 N/O, 2 N/C, 2 N/C + 1 N/O, 3 N/C | |
| Safety Contacts: | | 1 N/C, 2 N/C, or 3 N/C positive break | |
| Switching Ability | Resistive Load | AC: | 250 V – 1.6 A; 125 V – 2.5 A |
| | | DC: | 250 V – 0.55 A; 125 V – 1.1 A; 30 V – 2.5 A |
| | Inductive Load | AC: | 250 V – 0.75 A; 125 V – 1.5 A |
| | | DC: | 250 V – 0.27 A; 125 V – 0.55 A; 30 V – 0.27 A |
| Auxiliary Contacts: | | 1 N/O | |
| Max Switching Current/Volt/Amp: | | 250 V/400 VA | |
| Electrical Life: | | 1 x 10 ⁶ minimum | |
| Mechanical | | | |
| Mounting: | | Any position | |
| Mounting Hardware: | | 2 x M4 screws | |
| Actuator Travel for Positive Opening: | | 5.5 mm (0.217 in.) | |
| Min Operating Radius: | | 50 mm (1.97 in.) with flex actuators | |
| Break Contact Min Force: | | 6 N (1.35 lb.) | |
| Max Actuation Speed: | | 1000 mm/sec. (39.4 in./sec.) maximum | |
| Max Actuation Frequency: | | 1200 cycles/hour | |
| Actuator Material: | | Stainless steel | |
| Cable: | | UL style 2464, 6 x 20 AWG stranded | |
| Weight: | | 142 g (5 oz.) | |
| Color: | | Red | |
| Mechanical Life: | | 1 x 10 ⁶ minimum | |
| Environmental | | | |
| Protection: | | IP67 (NEMA 6) | |
| Operating Temperature: | | -20 to 80°C (-4 to 176°F) | |
| Compliance | | | |
| Standards: | | EN1088, EN60947-5-1, EN60204-1 | |
| Approvals/Listings: | | CE marked for all applicable directives, UL and C-UL, BG | |

Specifications are subject to change without notice.

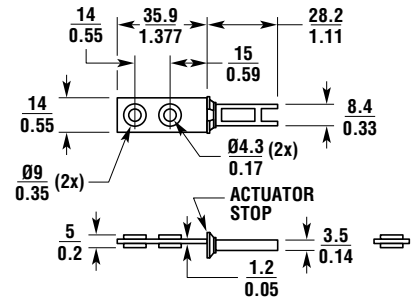
Note: The safety contacts of the Omron STI switches are described as normally closed (N/C)—i.e., with the guard closed, actuator in place, and the machine able to be started.

■ Dimensions — mm/in.

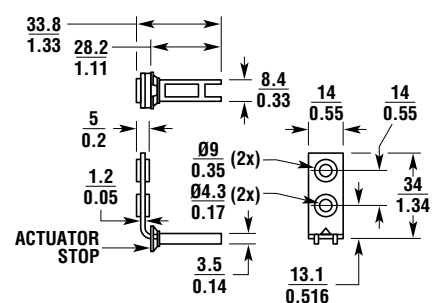
T3008 SAFETY SWITCH



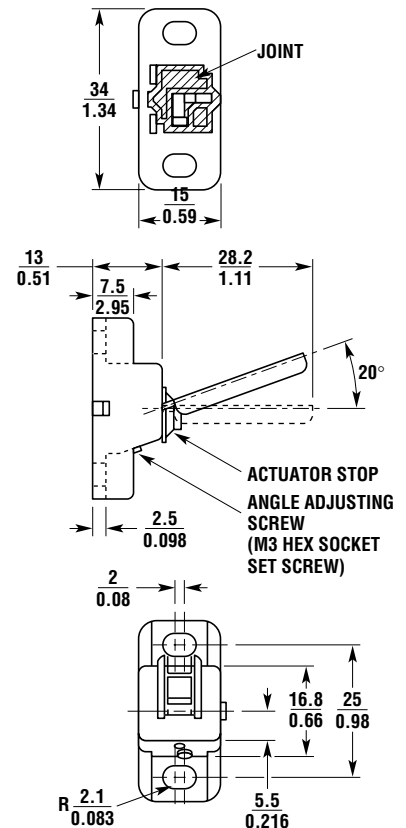
FLAT ACTUATOR



90 DEGREE ACTUATOR



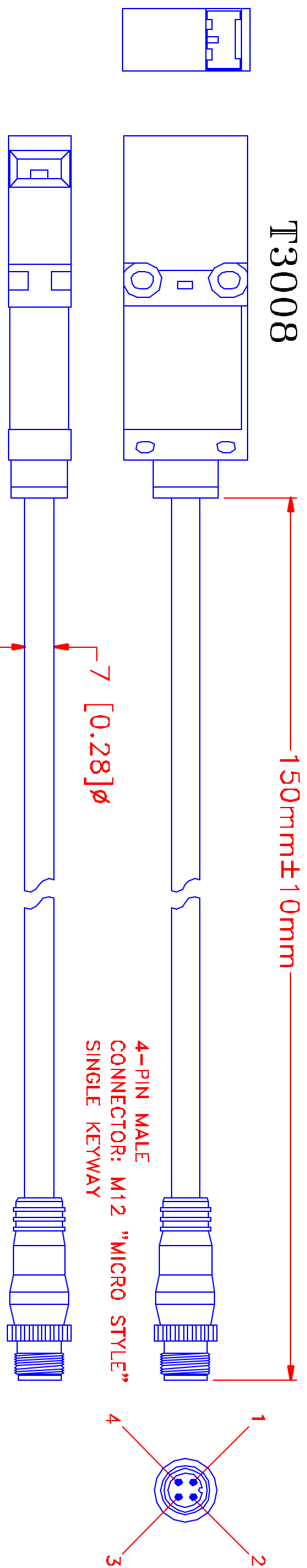
FLEX 1 AND FLEX 2 ACTUATORS



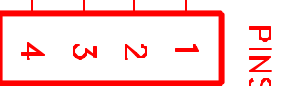
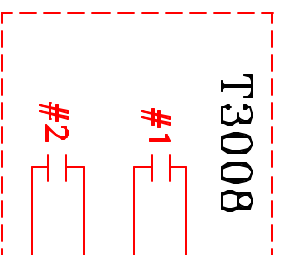
N For More Guarding Products
See Section N for safeguarding cutting and turning machines

■ Ordering

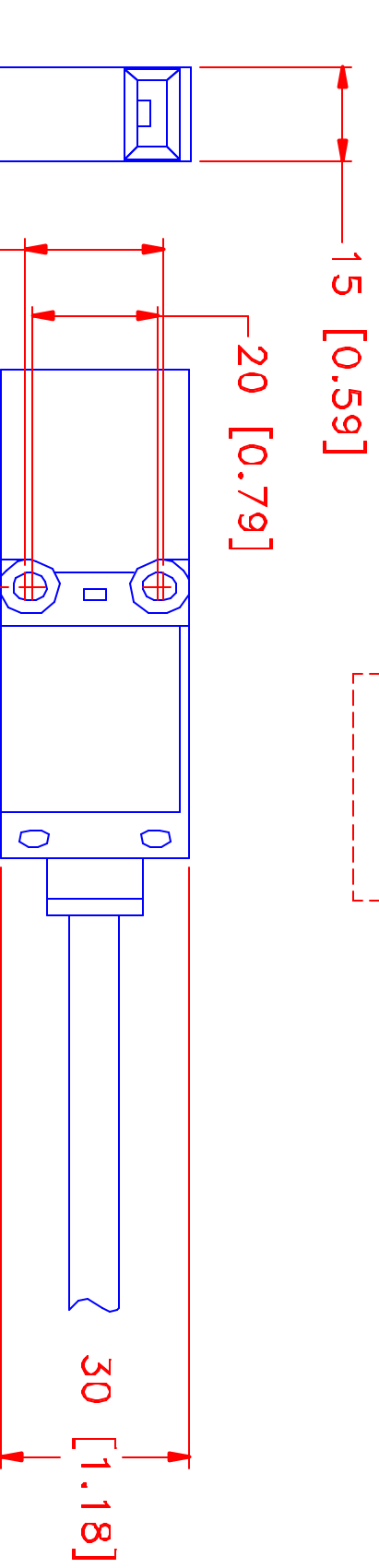
| Model | Contacts | Wiring Entry | Part No. |
|-----------------------------|---------------|--------------|------------|
| 90° ACTUATOR | | | |
| T3008-11SC1 | 1 N/C + 1 N/O | 1 m cable | 44524-0010 |
| T3008-11SC5 | 1 N/C + 1 N/O | 5 m cable | 44524-0105 |
| T3008-02SC1 | 2 N/C | 1 m cable | 44524-0020 |
| T3008-02SC5 | 2 N/C | 5 m cable | 44524-0205 |
| T3008-12SC1 | 2 N/C + 1 N/O | 1 m cable | 44524-0030 |
| T3008-12SC5 | 2 N/C + 1 N/O | 5 m cable | 44524-0305 |
| T3008-03SC1 | 3 N/C | 1 m cable | 44524-0040 |
| T3008-03SC5 | 3 N/C | 5 m cable | 44524-0405 |
| FLAT ACTUATOR | | | |
| T3008-11TC1 | 1 N/C + 1 N/O | 1 m cable | 44524-1010 |
| T3008-11TC5 | 1 N/C + 1 N/O | 5 m cable | 44524-1105 |
| T3008-02TC1 | 2 N/C | 1 m cable | 44524-1020 |
| T3008-02TC5 | 2 N/C | 5 m cable | 44524-1205 |
| T3008-12TC1 | 2 N/C + 1 N/O | 1 m cable | 44524-1030 |
| T3008-12TC5 | 2 N/C + 1 N/O | 5 m cable | 44524-1305 |
| T3008-03TC1 | 3 N/C | 1 m cable | 44524-1040 |
| T3008-03TC5 | 3 N/C | 5 m cable | 44524-1405 |
| FLEX 1 ACTUATOR | | | |
| T3008-11F1C1 | 1 N/C + 1 N/O | 1 m cable | 44524-2010 |
| T3008-11F1C5 | 1 N/C + 1 N/O | 5 m cable | 44524-2105 |
| T3008-02F1C1 | 2 N/C | 1 m cable | 44524-2020 |
| T3008-02F1C5 | 2 N/C | 5 m cable | 44524-2205 |
| T3008-12F1C1 | 2 N/C + 1 N/O | 1 m cable | 44524-2030 |
| T3008-12F1C5 | 2 N/C + 1 N/O | 5 m cable | 44524-2305 |
| T3008-03F1C1 | 3 N/C | 1 m cable | 44524-2040 |
| T3008-03F1C5 | 3 N/C | 5 m cable | 44524-2405 |
| FLEX 2 ACTUATOR | | | |
| T3008-11F2C1 | 1 N/C + 1 N/O | 1 m cable | 44524-3010 |
| T3008-11F2C5 | 1 N/C + 1 N/O | 5 m cable | 44524-3105 |
| T3008-02F2C1 | 2 N/C | 1 m cable | 44524-3020 |
| T3008-02F2C5 | 2 N/C | 5 m cable | 44524-3205 |
| T3008-12F2C1 | 2 N/C + 1 N/O | 1 m cable | 44524-3030 |
| T3008-12F2C5 | 2 N/C + 1 N/O | 5 m cable | 44524-3305 |
| T3008-03F2C1 | 3 N/C | 1 m cable | 44524-3040 |
| T3008-03F2C5 | 3 N/C | 5 m cable | 44524-3405 |
| Spare 90° Actuator | | | 44524-0700 |
| Spare Flat Actuator | | | 44524-0710 |
| Spare Flex 1 Actuator | | | 44524-0720 |
| Spare Flex 2 Actuator | | | 44524-0730 |
| Accessories (see page G238) | | | |



82504-0010

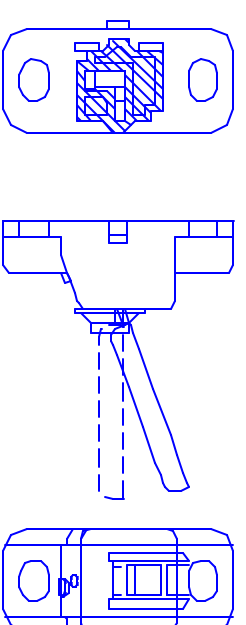
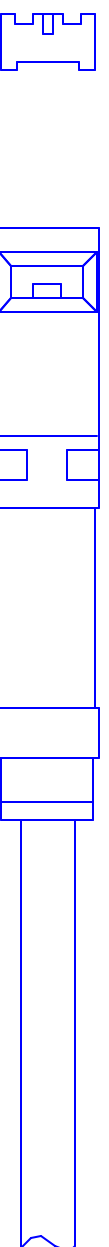


4-PIN MALE
CONNECTOR: M12 "MICRO STYLE"
SINGLE KEYWAY
MOLDED TO EXISTING CABLE

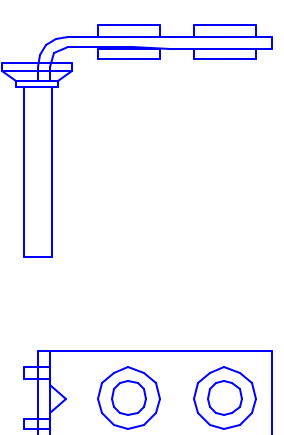


T3008

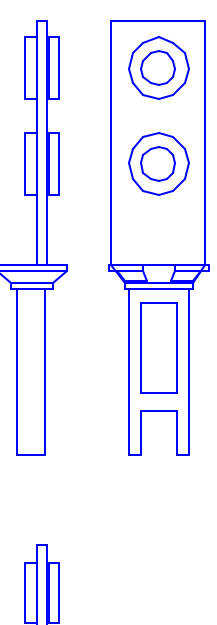
Drawn to Scale in Decimal Inches
For Metric units (mm), multiply by 25.4
Dimension as Required
For Detailed Dimensions, refer to Catalog



FLEX 1 & FLEX 2 ACTUATORS



90° ACTUATOR



FLAT ACTUATOR